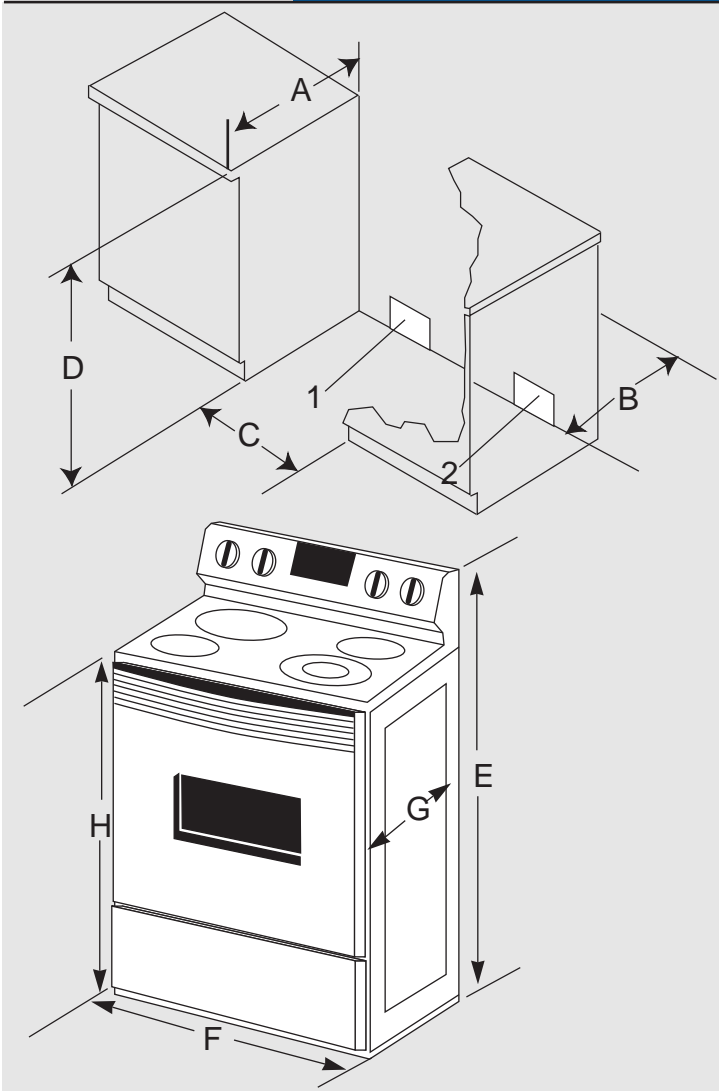




30"

FREE-STANDING RANGES



Dimensions

■	Inches	Centimeters
A	25	63.5
B	24	61.0
C	30	76.2
D	36	91.4
E	47 3/8	120.3
F	29 7/8	75.9
G ³	26 5/8	67.6
H ⁴	36	91.4

Notes:

1. □ Provide for 120 volt grounded electrical outlet in this area. Outlet must be flush.
2. □ Recommended gas location.
3. □ Excluding handle.
4. □ May vary slightly depending upon leveling leg adjustment.

Important: Because of continuing product improvements, Maytag reserves the right to change specifications without notice. Dimensional specifications are provided for planning purposes only. For complete details see installation instructions that accompany each product before selecting cabinetry, making cutouts or beginning installation.